



SITE SPECIFIC DATA REQUIREMENTS FOR CDS2015-5

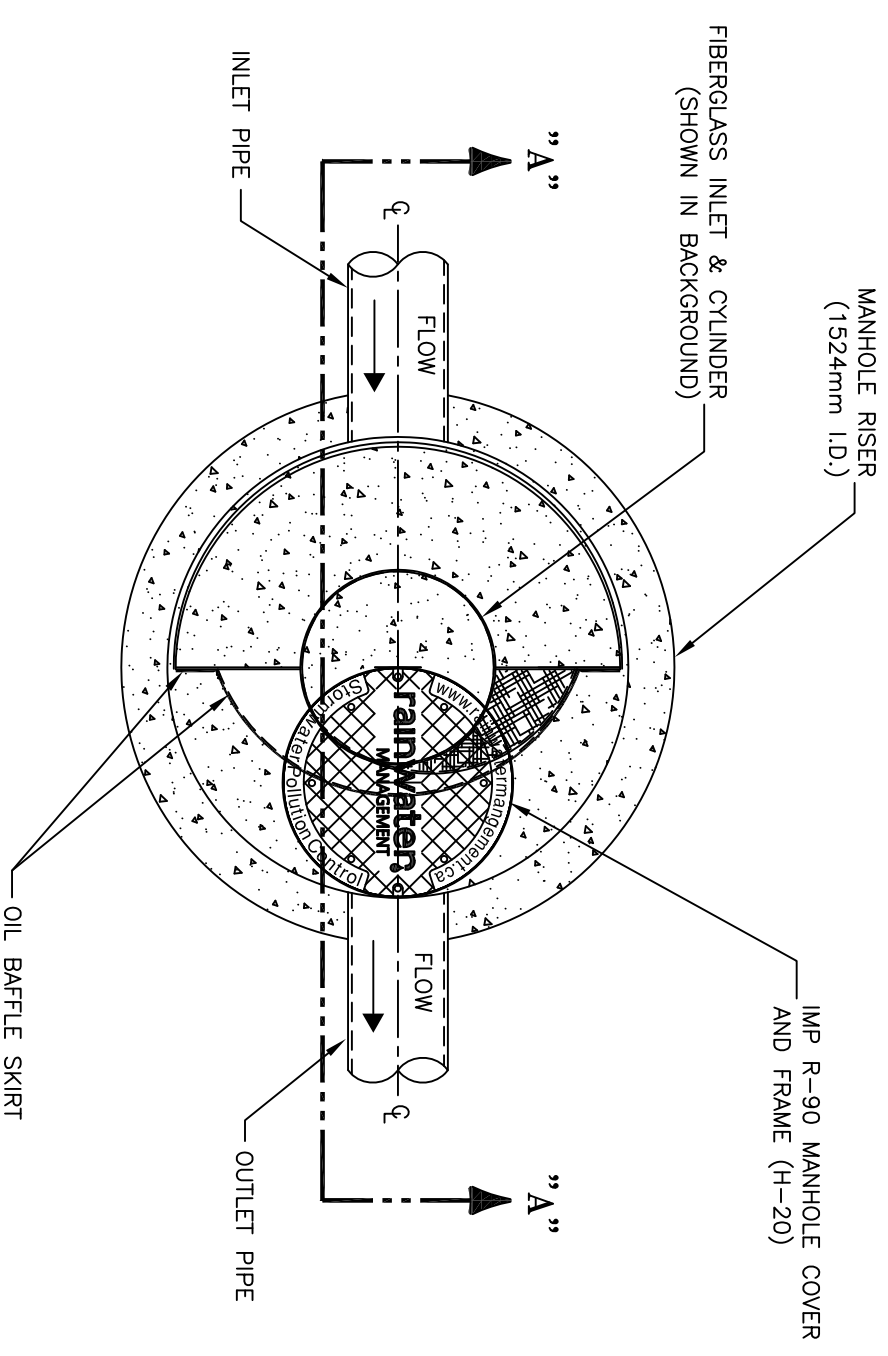
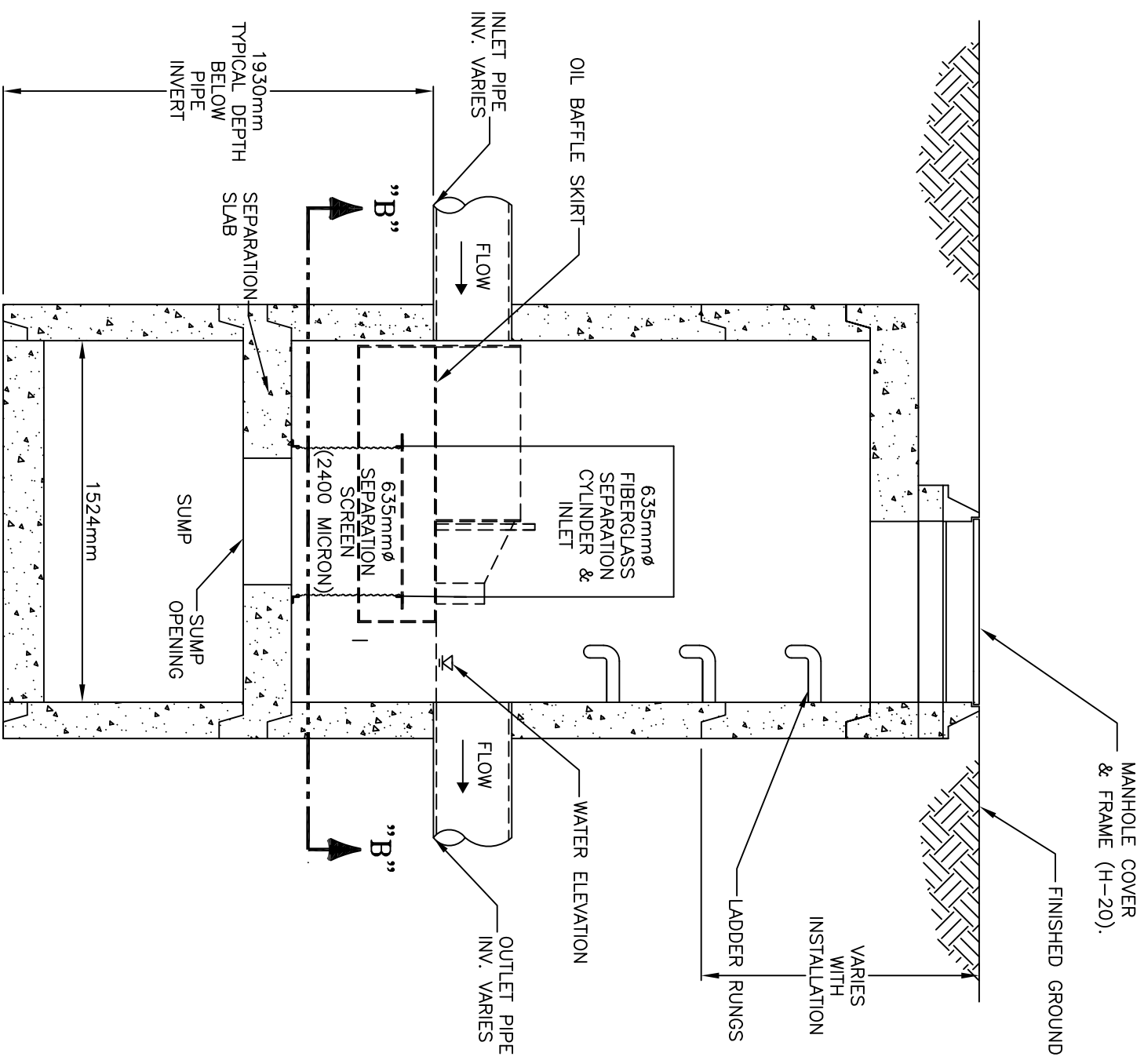
STRUCTURE ID	PIPE DATA:	I.E.	MATERIAL	DIAMETER	ANTI-FLOTATION BALLAST	WIDTH	HEIGHT
WATER QUALITY FLOW RATE (L/S)	INLET PIPE 1	*	*	*		*	*
PEAK FLOW RATE (LS)	INLET PIPE 2	*	*	*		*	*
RETURN PERIOD OF PEAK FLOW (YRS)	OUTLET PIPE	*	*	*		*	*
SCREEN APERTURE (2400)	RIM ELEVATION	*	*	*		*	*

NOTES / SPECIAL REQUIREMENTS
* PER ENGINEER OF RECORD

**rainwater
MANAGEMENT**

www.rainwatermanagement.ca
TEL : 604-944-9265

**CDS2015-5
INLINE CDS
STANDARD DETAIL**



- DESIGN NOTES**
1. THE STANDARD CDS2015-5 CONFIGURATION IS SHOWN. ALTERNATE CONFIGURATIONS ARE AVAILABLE, PLEASE CONTACT RAINWATER MANAGEMENT. SOME CONFIGURATIONS MAY BE COMBINED TO SUIT SITE REQUIREMENTS.
 2. THE CDS UNIT CAN HANDLE MULTIPLE INLET PIPES, TOP INLET AND CAN ACCOMMODATE INLET PIPES AT AN ANGLE TO THE OUTLET.

- GENERAL NOTES**
1. RAINWATER MANAGEMENT TO PROVIDE ALL MATERIALS UNLESS NOTED OTHERWISE.
 2. ALL DIMENSIONS ARE SHOWN IN MILLIMETERS.
 3. FOR FABRICATION DRAWINGS WITH DETAILED STRUCTURE DIMENSIONS AND WEIGHTS, PLEASE CONTACT YOUR RAINWATER MANAGEMENT PRODUCTS REPRESENTATIVE. www.rainwatermanagement.ca
 4. CDS WATER QUALITY STRUCTURE SHALL BE IN ACCORDANCE WITH ALL DESIGN DATA AND INFORMATION CONTAINED IN THIS DRAWING.
 5. STRUCTURE AND CASTINGS SHALL MEET H520 LOAD RATINGS, ASSUMING GROUNDWATER ELEVATION AT, OR BELOW THE OUTLET PIPE INVERT ELEVATION. ENGINEER OF RECORD TO CONFIRM ACTUAL GROUNDWATER ELEVATION.
 6. MANHOLE MANUFACTURED TO ASTM 478 SPECIFICATIONS.

- INSTALLATION NOTES**
1. ANY SUB-BASE, BACKFILL DEPTH, AND/OR ANTI-FLOTATION PROVISIONS ARE SITE-SPECIFIC DESIGN CONSIDERATIONS AND SHALL BE SPECIFIED BY THE ENGINEER OF RECORD.
 2. CONTRACTOR TO PROVIDE EQUIPMENT WITH SUFFICIENT LIFTING AND REACH CAPACITY TO LIFT AND SET THE CDS MANHOLE STRUCTURE (LIFTING CLUTCHES PROVIDED). HEAVIEST LIFT TO PLAN FOR IS 5500kg.
 3. CONTRACTOR TO ADD GASKETS OR JOINT SEALANT BETWEEN ALL STRUCTURE SECTIONS, AND ASSEMBLE STRUCTURE.
 4. CONTRACTOR TO PROVIDE, INSTALL, AND GROUT PIPES, MATCH PIPE INVERTS WITH ELEVATIONS SHOWN.
 5. CONTRACTOR TO TAKE APPROPRIATE MEASURES TO ASSURE UNIT IS WATER TIGHT, HOLDING WATER TO FLOWLINE INVERT MINIMUM. IT IS SUGGESTED THAT ALL JOINTS BELOW PIPE INVERTS ARE GROUTED.